

Installation Instructions

Original Instructions



PowerFlex 750-Series Option Modules

These instructions cover the installation of the option modules that are listed below.

For instructions on the installation of Network Communication option modules, refer to publication [750COM-IN002](#).

IMPORTANT Only one safety option module can be installed at a time. Simultaneous safety option installations are not supported.

Compatible Ports

20-750-1132C-2R
20-750-1133C-1R2T
20-750-1132D-2R

20-750-2262C-2R
20-750-2263C-1R2T
20-750-2262D-2R

20-750-APS

20-750-DENC-1

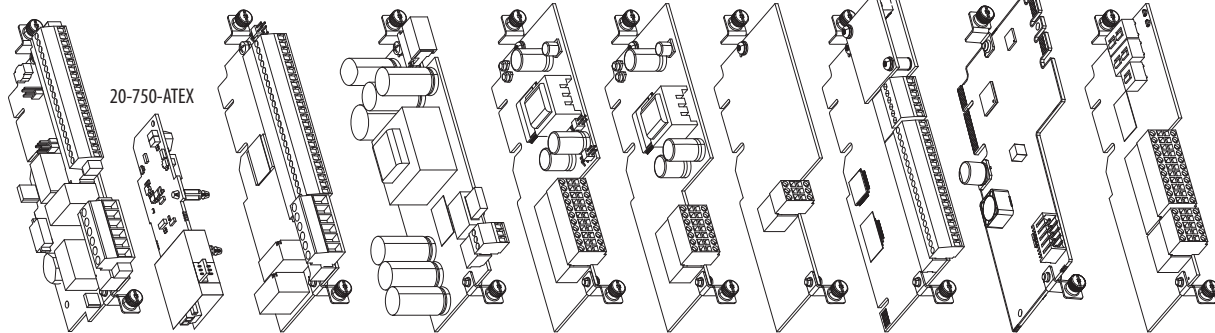
20-750-ENC-1

20-750-S

20-750-S1

20-750-S3
20-750-S4

20-750-UFB-1



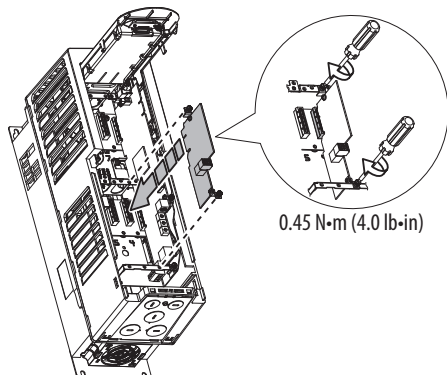
Option Module Cat. No. 20-750-
1132C-2R, 1133C-1R2T, 1132D-2R
1132C-2R, 1133C-1R2T, 1132D-2R with 20-750-ATEX installed ⁽¹⁾
2262C-2R, 2263C-1R2T, 2262D-2R
APS
DENC-1 ⁽²⁾
ENC-1
S
S1 ⁽²⁾
S3/S4 ⁽²⁾⁽³⁾
UFB-1

PowerFlex 753 Drives					
Frame 1 Ports			Frame 2...7 Ports		
6	5	4	6	5	4
No	Yes	Yes	Yes	Yes	Yes
No	Yes	Yes	No	Yes	Yes
No	Yes	Yes	Yes	Yes	Yes
See Page 2			See Page 2		
No	Yes	Yes	Yes	Yes	Yes
No	Yes	Yes	Yes	Yes	Yes
Yes	Yes	Yes	Yes	Yes	Yes
Yes	Yes	Yes	Yes	Yes	Yes
Not Supported					
Not Supported					

PowerFlex 755 Drives								
Frame 1 Ports			Frame 2...10 Ports					
6	5	4	8	7	6	5	4	
No	Yes	Yes	Yes	Yes	Yes	Yes	Yes	Yes
No	Yes	Yes	No	No	No	Yes	Yes	Yes
No	Yes	Yes	Yes	Yes	Yes	Yes	Yes	Yes
See Page 2			No	No	No	No	No	No
No	Yes	Yes	No	No	Yes	Yes	Yes	Yes
No	Yes	Yes	Yes	Yes	Yes	Yes	Yes	Yes
Yes	Yes	Yes	Yes	Yes	Yes	Yes	Yes	Yes
Yes	Yes	Yes	No	No	Yes	Yes	Yes	Yes
Yes	Yes	Yes	No	No	Yes	Yes	Yes	Yes
No	Yes	Yes	No	No	Yes	Yes	Yes	Yes

- (1) For detailed instructions on installation of 11-Series I/O with the ATEX option module, see the PowerFlex 750-Series ATEX User Manual, publication [750-UM003](#).
- (2) See Using Option Modules 20-750-S1 / 20-750-S4 with Option Modules 20-750-DENC-1 / 20-750-UFB-1.
- (3) Must be installed in port 6 for integrated motion.

Option Module Installation

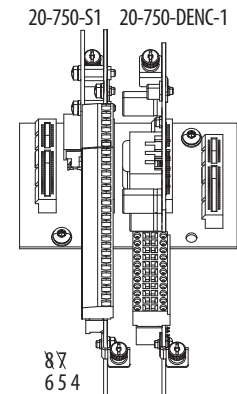


0.45 N·m (4.0 lb·in)

Using Option Modules 20-750-S1 / 20-750-S4 with Option Modules 20-750-DENC-1 / 20-750-UFB-1

IMPORTANT: When the Safe Speed Monitor option module (catalog number 20-750-S1) or the PowerFlex® 755/755T Integrated Safety Functions option module (catalog number 20-750-S4) is used with a Dual Incremental Encoder option module (catalog number 20-750-DENC-1) or the Universal Feedback Encoder option module (catalog number 20-750-UFB-1), both modules must be installed on the same backplane (ports 6, 5, 4).

Only the 20-750-S1 and the 20-750-DENC-1 are depicted in the illustration to the right.

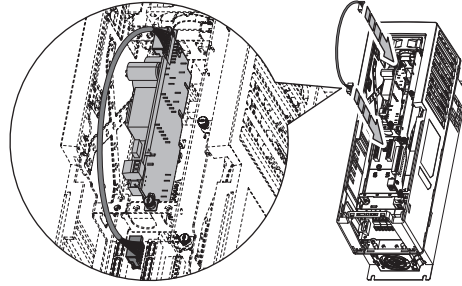


8 7
6 5 4

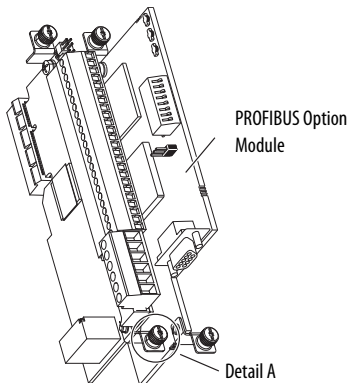
Auxiliary Power Supply (20-750-APS) Installation

A connector cable is provided with Auxiliary Power Supply option module for use in PowerFlex 753 Drives and in PowerFlex 755 Frame 1 drives. The cable is used to connect the module to the backplane when installed on the upper control pod brackets.

IMPORTANT: Do not use the Auxiliary Power Supply option module with Frame 8 and larger drives. See the PowerFlex 750-Series AC Drives Installation Instructions, publication [750-IN001](#), for information on the connection of an external power supply to a Frame 8 and larger drive.



Option Module Installation Next to a PROFIBUS Option Module



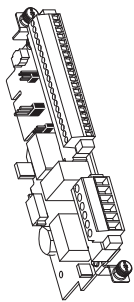
Do not allow the lower T15 Torx™ mounting screw (Detail A) on a new module to make contact with the metal cable connector of an installed PowerFlex 20-750-PBUS PROFIBUS option module. Electrical contact of the two metal parts can cause faulty operation. Perform these steps to help prevent contact. If a PowerFlex 20-750-PBUS PROFIBUS option module is not in that port, disregard these steps.

1. Remove the lower T15 Torx mounting screw (Detail A) from the new module being installed.

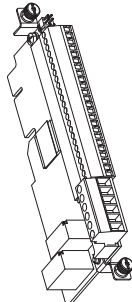
To remove the captive T15 Torx screw, the module must be removed to back the screw out of the mounting clip.

2. Replace the larger T15 Torx screw with the smaller spare T8 Torx mounting screw that was shipped with the PowerFlex 20-750-PBUS PROFIBUS option module.

11-Series and 22-Series I/O Module Installation



20-750-1132C-2R (24V DC)
20-750-1133C-1R2T (24V DC)
20-750-1132D-2R (120V DC)



20-750-2262C-2R (24V DC)
20-750-2263C-1R2T (24V DC)
20-750-2262D-2R (120V DC)



ATTENTION: When used in an Integrated Motion on EtherNet/IP network application for firmware revisions 12 and later, both the 11-series and 22-series I/O modules must be installed only in port 7. You cannot use the ATEX card with the 11-series I/O module in port 7 when used in an Integrated Motion on EtherNet/IP application.

Rockwell Automation maintains current product environmental information on its website at <http://www.rockwellautomation.com/rockwellautomation/about-us/sustainability-ethics/product-environmental-compliance.page>.

Allen-Bradley, PowerFlex, Rockwell Automation, and Rockwell Software are trademarks of Rockwell Automation, Inc. Trademarks not belonging to Rockwell Automation are property of their respective companies.

Rockwell Otomasyon Ticaret A.Ş., Kar Plaza İş Merkezi E Blok Kat:6 34752 İçerenköy, İstanbul, Tel: +90 (216) 5698400

www.rockwellautomation.com

Power, Control and Information Solutions Headquarters

Americas: Rockwell Automation, 1201 South Second Street, Milwaukee, WI 53204-2496 USA, Tel: (1) 414.382.2000, Fax: (1) 414.382.4444
Europe/Middle East/Africa: Rockwell Automation NV, Pegasus Park, De Kleetlaan 12a, 1831 Diegem, Belgium, Tel: (32) 2 663 0600, Fax: (32) 2 663 0640
Asia Pacific: Rockwell Automation, Level 14, Core F, Cyberport 3, 100 Cyberport Road, Hong Kong, Tel: (852) 2887 4788, Fax: (852) 2508 1846



PN-509668

Publication 750-IN002I-MU-P - August 2018

Supersedes Publication 750-IN002H-MU-P - September 2016

Copyright © 2018 Rockwell Automation, Inc. All rights reserved. Printed in the U.S.A.